



Integrated security solution

with NDE and LE Series wireless locks featuring ENGAGE™ technology and DSX L85 software



Overview

Schlage® NDE or LE Series locks with ENGAGE™ technology seamlessly integrate with DSX L85 to provide a cost effective and scalable access control solution to meet your security needs.

The Schlage NDE/LE Series wireless locks with ENGAGE technology are designed to be easy to install, connect, manage and use. Developed specifically for facilities that want to upgrade to electronic credentials for improved security and efficiency, it is ideal for interior office doors, common area doors and sensitive storage spaces with a cylindrical door prep.

DSX can orchestrate and manage the use of hardwired and wireless integrated locksets in concert with conventional locks and readers. The DSX-L85 software bridges integrated locksets to the DSX Enterprise Access Control Solution providing an extensive feature set that can be custom fit to each customer's requirements.

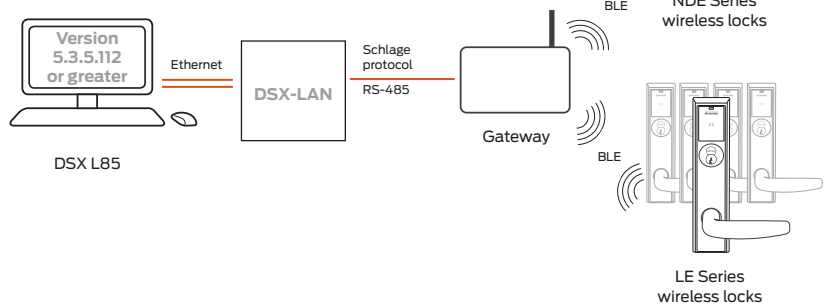
The DSX L85 software also supports AD Series locks allowing you to combine both lock platforms into a single solution.

System Capabilities Summary

- Multi-technology reader (125 kHz proximity and 13.56 MHz smart)
- AES-256 bit encrypted
- Classroom/Storeroom function for NDE/LE and optional Privacy, Office and Apartment functions for LE locks
- Cylindrical chassis for NDE and mortise chassis for LE locks
- Compatible with major brands of key systems
- Powered by four (4) standard off-the-shelf AA batteries
- ANSI/BHMA A156.25, ANSI/BHMA Grade 1, UL 294, UL10C, FCC Part 15, ADA, RoHS, Industry Canada (IC)

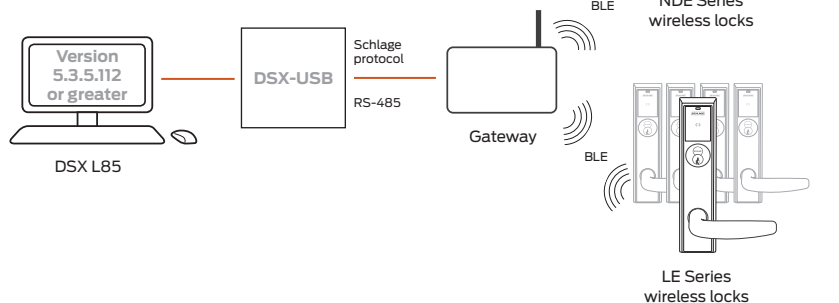
NDE/LE via RS-485 with DSX L85 software and a DSX-LAN module

- DSX LAN module supports up to 4 gateways total
- DSX LAN module supports a maximum of 40 NDE or LE locks total (10 per each gateway)
- Wireless range of up to 100'



NDE/LE via Gateway RS-485 with DSX L85 and DSX-USB

- DSX USB Module support up to 4 gateways total
- DSX USB Module supports a maximum of 40 NDE or LE locks combined total (10 per each gateway)
- Wireless range up to 100'



Note:

Please refer to NDE/LE Series locks and ENGAGE Gateway data sheets for complete specifications.

System capabilities:

	NDE/LE Series locks via Gateway (RS-485)
Features	
Maximum number of locks supported by controller ¹	40
Maximum number of locks supported via network access ²	126
Maximum number of gateways per controller/Host ¹	Up to 4
Maximum number of NDE/LE locks per gateway	10
Access control decision made by Host software or by lock database	Host
Remote linking capability via Host	Yes
Update frequency	N/A
Schedules	N/A
Holiday	N/A
Credentials	
Multi-technology - 125kHz proximity and 13.56 MHz smart credentials	Yes
PIV and PIV-I card compatible	N/A
Status monitors	
Request to exit	Yes
Door position	Yes
Mechanical key override	N/A
Request to enter	N/A
Low battery status	Yes
Communication Status BLE/RS-485	Yes
Remote lockdown/unlock	Yes (<5 sec)
Interior push button - LE only	Yes
Deadbolt - LE only	Yes
Lock functions	
Classroom/storeroom	Yes
Privacy - LE only	Yes
Office - LE only	Yes
Apartment - LE only	Yes
Licensing	
Please contact DSX Access Systems, Inc. to determine licensing requirements	

1. DSX Controller is included in the DSX L85 and DSX-LAN or DSX-USB.

2. For DSX network access means host location.

Please contact DSX for additional details on integrated features and credentials supported.

Supported credential formats

Proximity card (125 kHz):

- AWID®
- GE/CASI®
- HID®
- Schlage®
- XceedID®

Smart card (13.56 MHz):

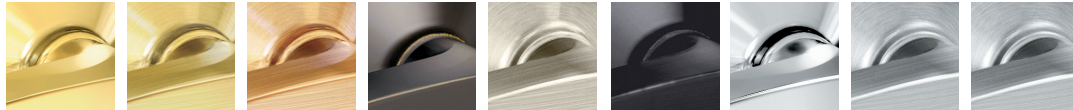
- Schlage® MIFARE Classic®
- Schlage MIFARE Plus®
- Schlage MIFARE® DESFire® EV1
- aptiQ™ MIFARE Classic
- aptiQ MIFARE DESFire EV1

Smart card (13.56 MHz) -

- reads card serial number only:
- HID iCLASS®
- DESFire®
- MIFARE®
- MIFARE DESFire EV1

Note: Additional card format info on ENGAGE™ Cloud-based Web and Mobile Applications Data Sheet.

Finishes



605 Bright brass 606 Satin brass 612 Satin bronze 643e Aged bronze 619 Satin nickel 622 Matte black* 625 Bright chrome 626 Satin chrome 626AM Satin chrome with antimicrobial

* Coming Q2 2017

Lever styles

NDE levers



Athens



Rhodes



Sparta

LE levers



03
(Suites with Tubular)



06
(Suites with Rhodes)



07
(Suites with Athens)



17
(Suites with Sparta)

Available in 28 levers and two knob styles including most M Series decorative lever options.

Escutcheon styles



Addison escutcheon



Greenwich sectional

Allegion, the Allegion logo, aptiQ, ENGAGE, the ENGAGE logo, Schlage, the Schlage logo and XceedID are trademarks of Allegion plc, its subsidiaries and/or affiliates in the United States and other countries. All other trademarks are the property of their respective owners.

About Allegion

Allegion (NYSE: ALLE) is a global pioneer in safety and security, with leading brands like CISA®, Interflex®, LCN®, Schlage®, SimonsVoss® and Von Duprin®. Focusing on security around the door and adjacent areas, Allegion produces a range of solutions for homes, businesses, schools and other institutions. Allegion is a \$2 billion company, with products sold in almost 130 countries. For more, visit www.allegion.com.

KRYPTONITE ■ LCN ■  ■ STEELCRAFT ■ VON DUPRIN



© 2017 Allegion
011883, Rev. 09/17
www.allegion.com/us