



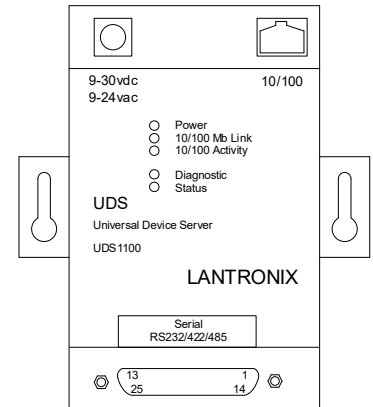
UDS-1100 CONFIGURATION

OVERVIEW

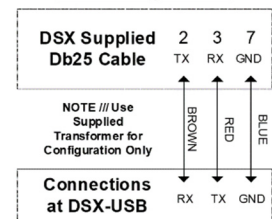
The Lantronix UDS-1100 is an ethernet to serial adapter that works with all DSX Controllers. These instructions use Kb2cW.exe to program and configure the unit. The UDS-1100 communicates RS-232 or RS-485 to the controller based on configuration and wiring.

Connect the Unit to a Desktop PC or Laptop for configuration by using the supplied cable with DB25 connector and connecting as shown to a DSX-USB. Use the supplied power supply to power the unit while programming. After configuration, it is powered from the DSX Controller or CDM through the same DB-25 connector.

1. Disconnect power to the UDS1100.
2. Make the connections to the DSX-USB module.
3. Start KB2CW and select Comm Port / Define Port and enter the port number the unit is connected to.
4. Caps Lock is OFF, Hold x on the keyboard, power up the unit.
5. After prompt, quickly press Enter for Setup Mode.
6. Type 0 to choose the '0 Server' option.
7. Enter IP Address, pressing Enter after each octet.
8. Type Y to set Gateway IP Address.
9. Enter Gateway IP Address, pressing Enter after each octet.
10. Use Chart to the right to determine Netmask. Enter 8, 16 or 24.
11. Press Enter twice to accept the default <N> for the next two options.
12. Type 1 to choose 'Channel 1' options.
13. Press Enter to choose Baud 9600.
14. Set I/F Mode. RS-232 = 4C. RS-485 = 4D
15. Press Enter to accept Flow Control '00'
16. Enter TX port number from the Comm Port in Database.
17. Connect Mode = CC
18. Datagram Type = 01
19. Send Broadcast = N
20. Remote IP Address = Comm Server.
21. Typically, you press Enter to accept Remote Port <0>. If both ports are defined in the software, they must both be defined here. Mux requires both ports to be used and possibly different.
22. Press Enter to accept the remaining defaults.
23. Press 9 to Save and Exit. Connect the unit to the Controller.



For Configuration



Netmask Chart

Class A = 24 (255.0.0.0)
 Class B = 16 (255.255.0.0)
 Class C = 8 (255.255.255.0)

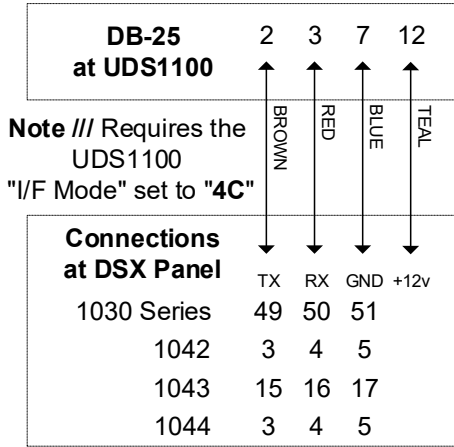
UDS-1100 Connections

Db25		Color/Stripe
2	Tx	Brown
3	Rx	Red
7	Gnd	Blue
12	+12V	Teal
14	Tx+	Brown/Black
15	Tx-	Red/Black
21	Rx+	Grey/Black
22	Rx-	White/Black

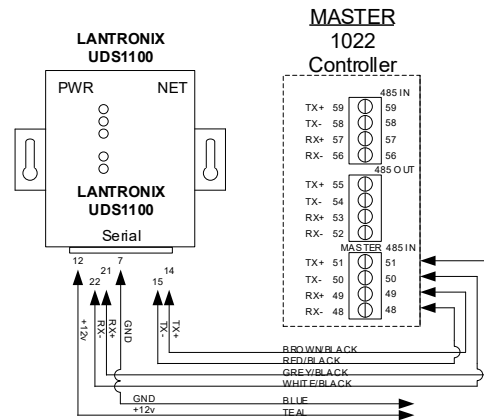
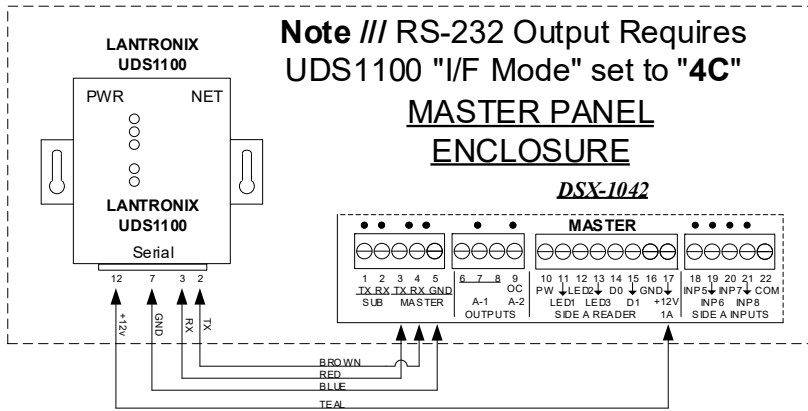
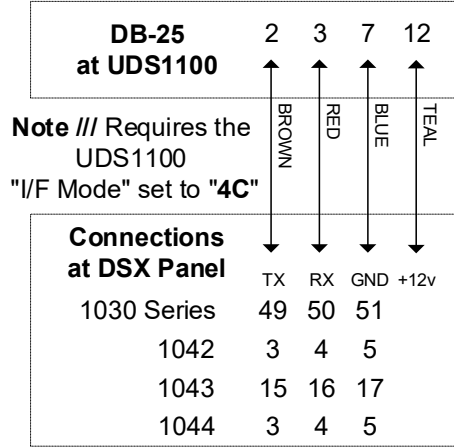
All connections are made through the DB-25 connector to the controller. See wiring info below:

MASTER CONTROLLER COMMUNICATIONS

RS-232 Terminations



RS-232 Terminations



SUB CONTROLLER COMMUNICATIONS

Note /// RS-485 Output Requires UDS1100 "I/F Mode" set to "4D"

