



®

DSX Access Systems, Inc.

DSX Controller Addressing

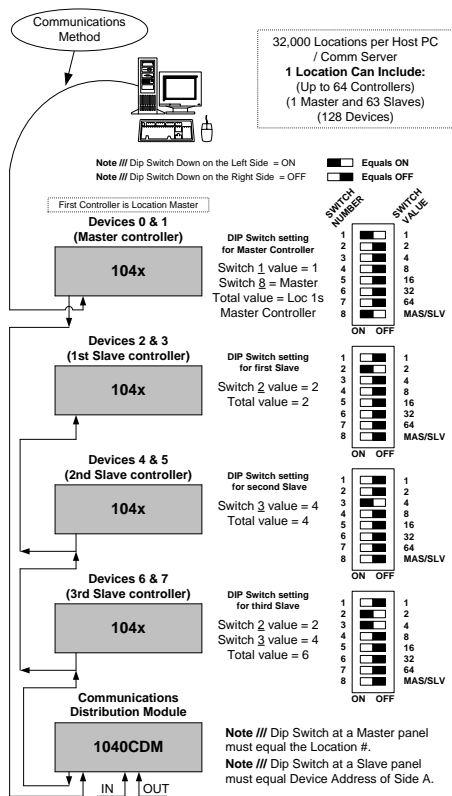
Controller Addressing

Each Controller has an 8 position dipswitch to set its address. The Master Controller is addressed as the Location number and has switch 8 turned on. Turn on switches 1-7 to set the Location number. Each switch has a binary value and when added together equal the Location number. Add the values of each switch turned on. To set the Master address above 127 set switches 1-7 off and program the address using KB2CW.exe from the WinDSX directory.

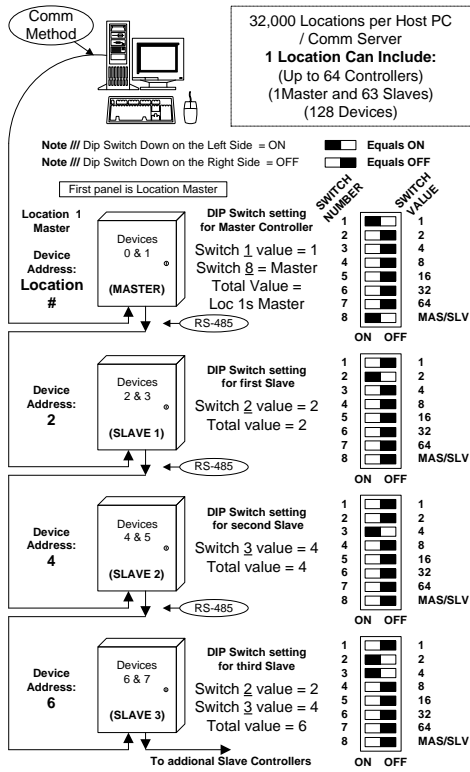
Set the Slave device address starting at 2. Both Devices of all controllers must be defined in the database but only the even number is programmed by the dipswitches. Side A = even number set by the switches. Side B = next highest odd number.

The Master is always device address 0 & 1 in the database. Switch 8 is only turned on at the Master Controller.

DSX-1048 Controller Addressing



DSX-1022 Controller Addressing



Note // Dip Switch at a Master panel must equal the Location #.
 Note // Dip Switch at a Slave panel must equal Device Address of Side A.