



DSX Access Systems, Inc.

PC Master

DSX Communications typically run from the Comm Server PC over the customer network to a DSX-LAN module that is connected to the first or Master controller at each Location. Communications then takes the form of a dedicated RS-485 regenerative communications network that runs between system controllers.

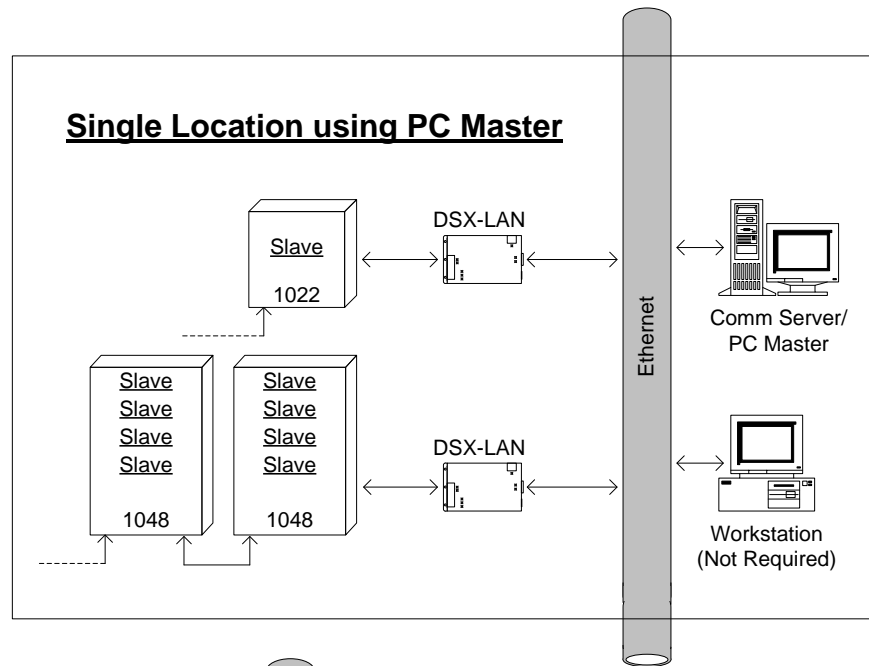
PC Master changes the way communications are distributed throughout the system. PC Master takes the place of a Master controller and will communicate to any Slave or cluster of Slave controllers over the network, negating the need for the dedicated RS-485 communications wiring, with the exception of the cabling between controllers in a cluster of slave controllers.

PC Master is deployed using the standard DSX software (SQL can also be used) and the PC Master application that is available on all Software distribution media. PC Master can be used on the same PC as the Comm Server or on a separate PC. Multiple copies can be run on the same PC depending on overall size of system. Each copy of PC Master can support 63 DSX controllers or 126 Doors.

- Scalable Architecture – What you need where you need it.
- TCP/IP Communications to each Controller or Controller cluster with DSX-LAN Module.
- Supports AES-256 Communications Encryption to all Controllers without special hardware.
- Supports 260+ Card and Keypad Formats including CAC, FIPS 201 and TWIC.
- Real Time Processing and Communications between Clusters.
- Compatible with existing DSX Controllers.
- Communications to each controller cluster operates simultaneously. These simultaneous communications channels can provide a substantial increase in the rate of data collection and distribution.
- Each PC Master can support 63 DSX controllers or 126 Doors
- Supports DSX-SIO / L85 Integrated Locksets

PC Master Deployment Examples

Single Location using PC Master



Multiple Locations using PC Master

