



DSX Access Systems, Inc.

DSX-OX4 Four Relay Expander

DSX-OX4 Four Relay Output Extender

The Four Relay Expander connects to the DSX-1022 and DSX-1042 Controllers. This module provides four fully functional fused relay outputs. Relays rated at 5A at 30VDC / 125VAC with the common terminals fused at 1A. The module Mounts on a 1040E Rail or on 4 adhesive standoffs. Communication to the module is RS-232 or RS-485 allowing the module to be 50' (RS-232) to 4000' (RS-485) from the Slave Controller it is connected to. This module can also be connected to a serial port on the Comm Server and controlled with the ASCII output from input alarms and status change.

Size

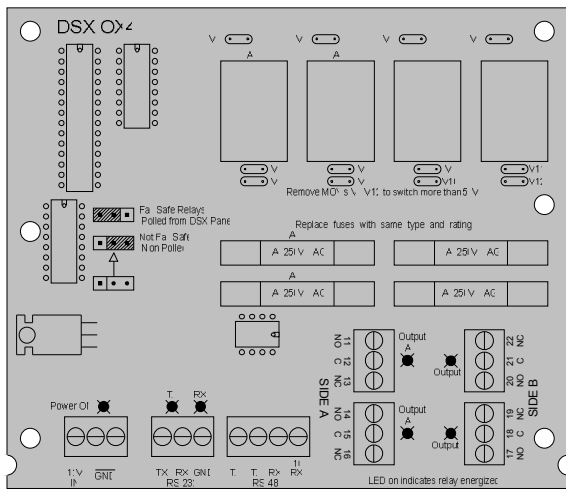
5.3"W x 4.5"H x 1.3"D

Weight

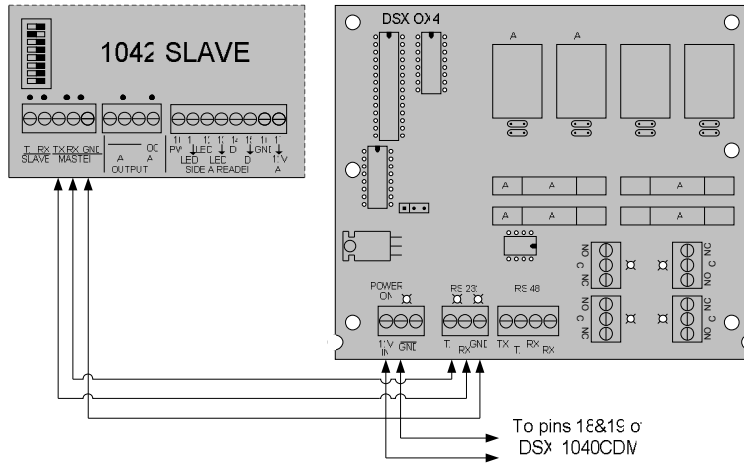
.2 lb.

Power Requirements

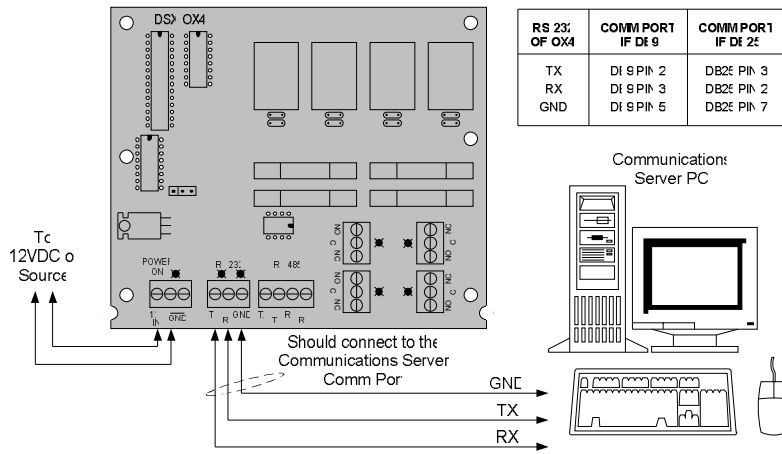
13.5VDC @ 300ma



DSX-OX4 connections to DSX-1042



DSX-OX4 connections to DSX Comm Server



DSX-OX4 connections to DSX-1022

