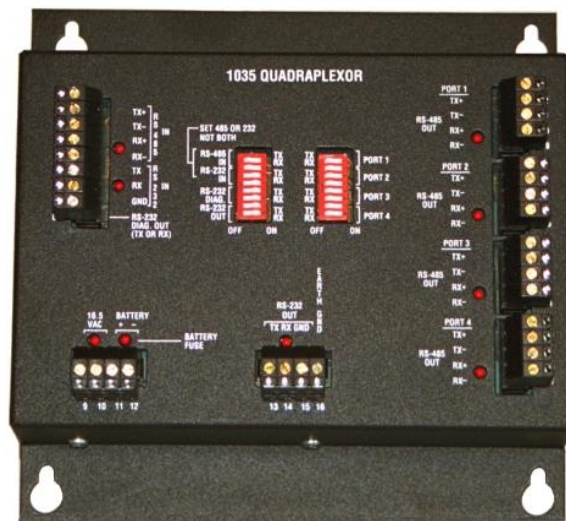




DSX Access Systems, Inc.

## DSX-1035 Quadraplexor



- RS-232 / RS-485 Inputs
- Master to Sub Star Wiring
- 4 RS-485 / 4 Wire Outputs
- 1 RS-232 / 3 Wire Output
- RS-232 Diagnostic Outputs
- Protocol Independent
- TCP/IP Communications
- Powered by integral power supply or Controller

# DSX-1035 Quadraplexor

## Size

DSX-1035 7.25" W x 6.75" H x 2.0" D

## Weight

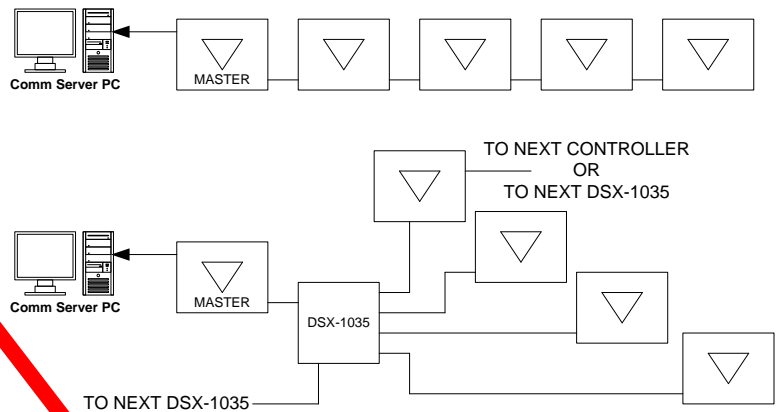
DSX-1035 2.00 lb.

## Finish

Black Powder Coat with White Silkscreen.

## Temperature/Humidity

Operating 32 to 131 F / 0 to 95%, relative



## Supply Voltage

AC Input Voltage 16.5 VAC 40VA or  
DC Input Voltage 12 VDC @ 500 ma

## Current Requirements

DSX-1035 only 12 VDC @ 500ma

## Standby Power

Trickle Charge 13.5 VDC 500ma Fused  
For UL Installations, battery must be Powersonic PS-1270, Interstate PC-1270, or SBS S-1272.

## Inputs

RS-232 50 feet max  
RS-485 4000 feet max

## Outputs

RS-485 4-Wire 4  
RS-232 3-Wire 1 RS-232 Diagnostic 1

## Warranty

Limited 2 Year