



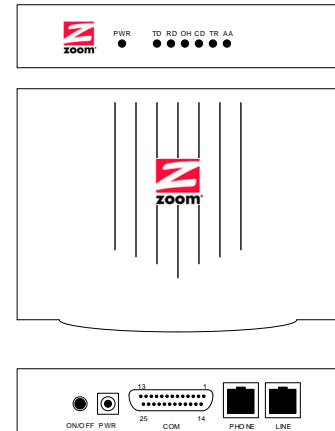
DSX Access Systems, Inc.

Dial-Up Modem

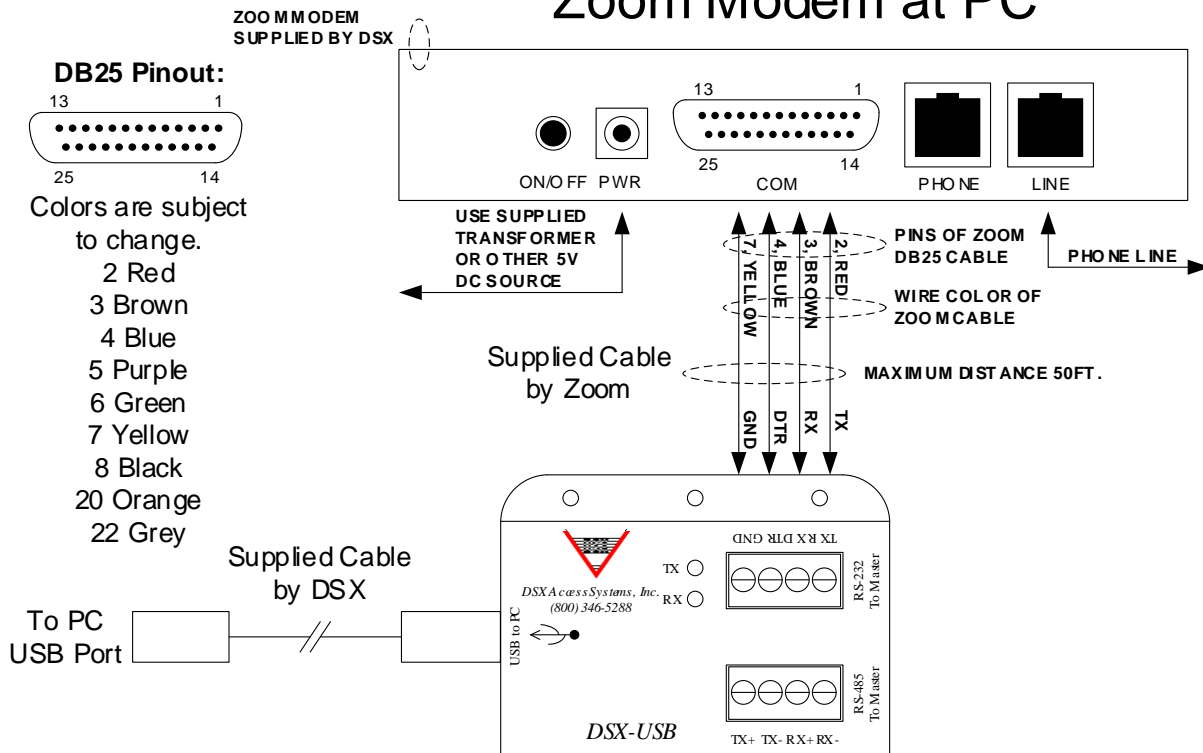
Dial-Up Modem Connections

Comm Server

When this modem is used at the Comm Server it is powered from its plug-in power supply and connected to a DB9 Serial Port with the supplied cable. If a DB9 serial port is not available, the DSX-USB can be used to connect the modem to the PC. Cut the cable and wire it to the DSX-USB as shown below.



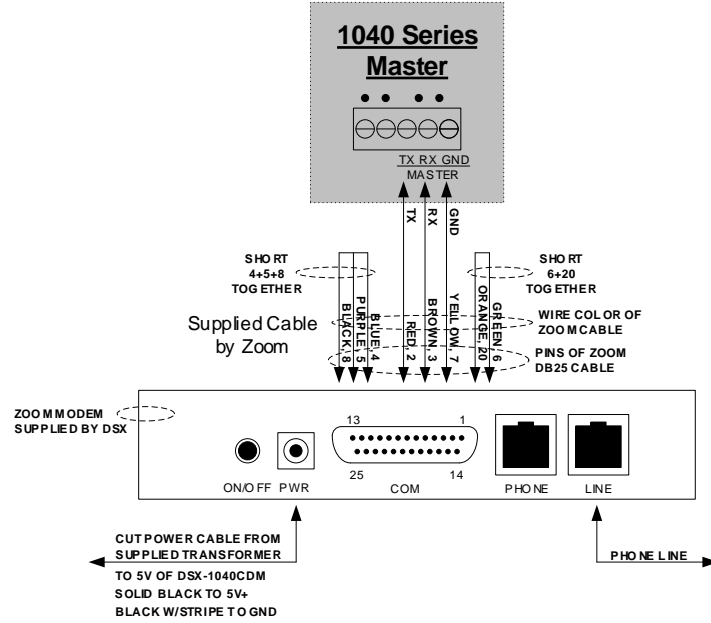
Zoom Modem at PC



DSX-1042 Controller

When this modem is used at a 1042 Master Controller use supplied cable and power connector to connect the modem to the master panel. Cut serial and power cables and wire them to the controller as shown below.

Zoom Modem at Panel



DSX-1022 Controller

When this modem is used at a 1022 Master Controller use the DSX-MCI and Gender Bender to connect the modem to the master panel.

Zoom Modem at Panel

