



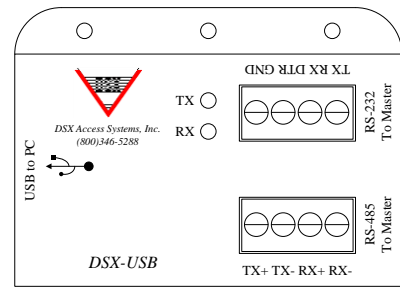
DSX Access Systems, Inc.

DSX-USB Comm Interface

Single Channel USB to RS-232 or RS-485 Converter for Master or Sub communications with removable terminal blocks.

This new module can provide the RS-232 required for a 1040 Series Master Controller. The module will also support a Dial-up Modem at the Comm Server and has the necessary DTR output for modem use.

The RS-485 output can be used for a 1020 Series Master Controller and all DSX Sub Communications when used with PC Master.



Installing the Driver

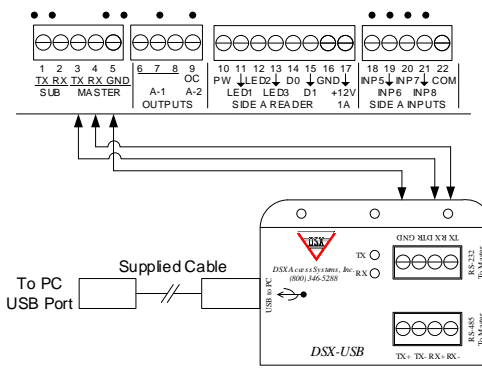
1. In Windows go to the "Device Manager".
2. Plug the DSX-USB module into the PC.
3. Locate the device that appears when plugged in.
4. Right click on the device and select "Update Driver".
5. Choose Browse and navigate to the DSX Flash Drive - and to \USB Drivers_00_DSX USBa\ and click OK.
6. Windows should update the driver and then show you the Comm Port number it assigns to it under Ports/Comm and LPT. Use that number when creating the Comm Port in the DSX Software.

Note/// In some cases you might have to repeat this process before Windows will assign a comm port number to the USB Module.

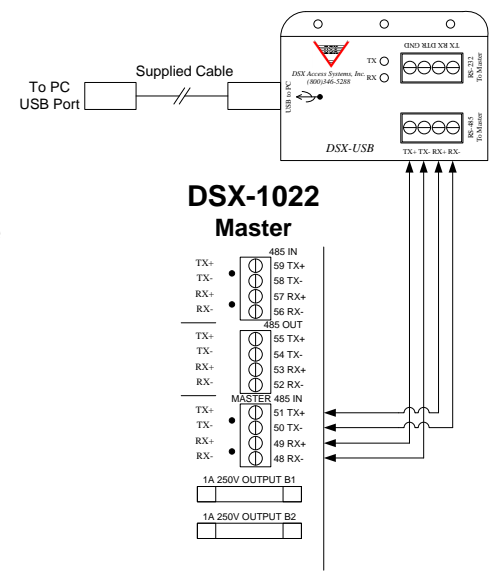
Installing the Module

The module comes complete with a 3' USB Cable so that it can be mounted away from the port it is attached to. It has a mounting flange with three holes so that it can be screwed or wire tied, securing its installation. The field wiring side is connected via standard DSX removable terminal blocks.

DSX-USB to DSX-1042 Master

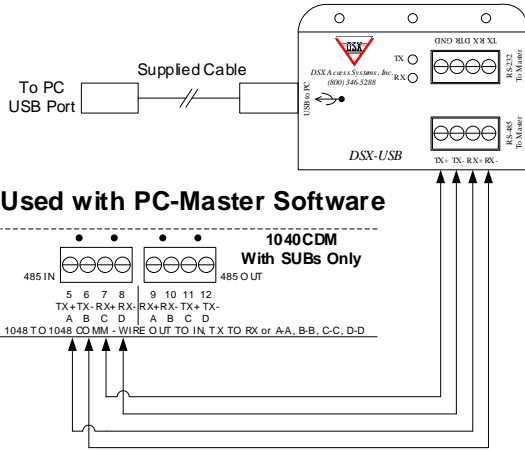


DSX-USB to DSX-1022 Master



PC Master to DSX-1040 Sub Controller

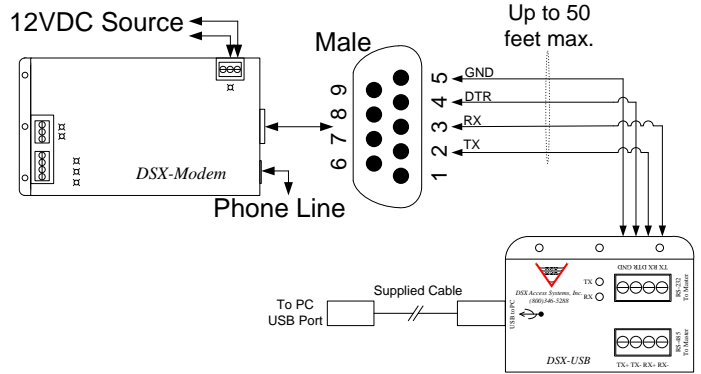
When PC Master is deployed, the DSX-USB can be used to communicate with 1040 Series Sub Controllers via a USB Port on the PC Master computer.



DSX-Dial-Up Modem via USB Port

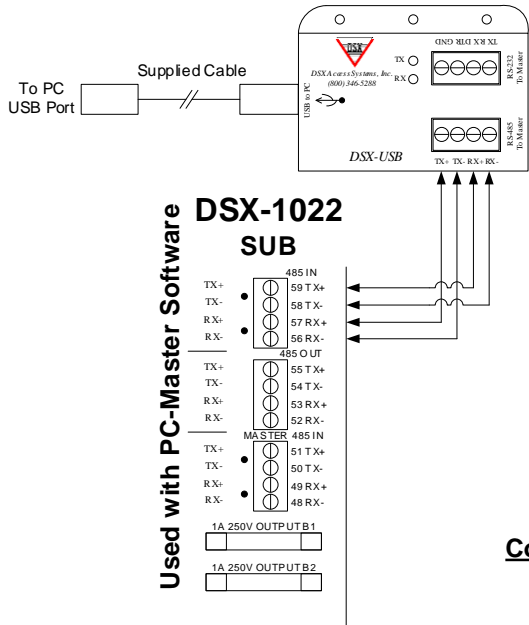
When a DSX Dial-up Modem is required for communications at the Comm Server, the DSX-USB can provide a serial connection where only a USB Port is present.

DSX-Modem at PC



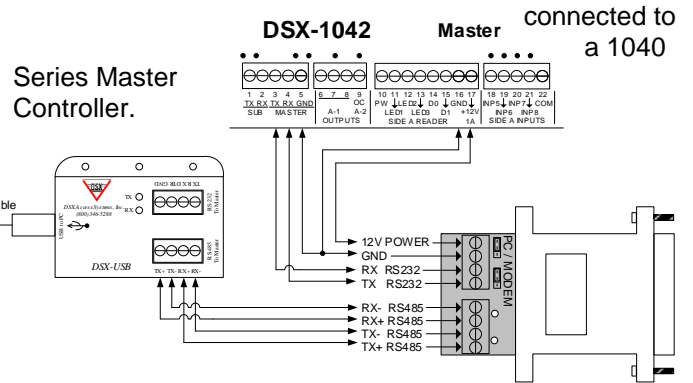
PC Master to DSX-1022 Sub Controller

When PC Master is deployed, the DSX-USB can be used to communicate with 1022 Sub Controllers via a USB Port on the PC Master computer.



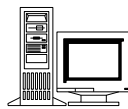
DSX-USB to MCI for RS-232 Long Haul

When a DSX-1040 Series Master is more than 100' from the Comm Server a DSX-USB can provide an RS-485 4 wire output that can communicate up to 4000 feet. At the controller end there would be an MCI module which would then convert the RS-485 to RS-232 so it can be



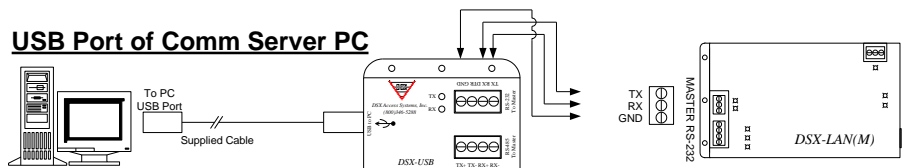
DSX-USB to DSX-LAN for programming

Serial Port of Comm Server PC

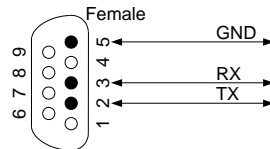


Or

USB Port of Comm Server PC



To Configure DSX-LAN



DSX-LAN

